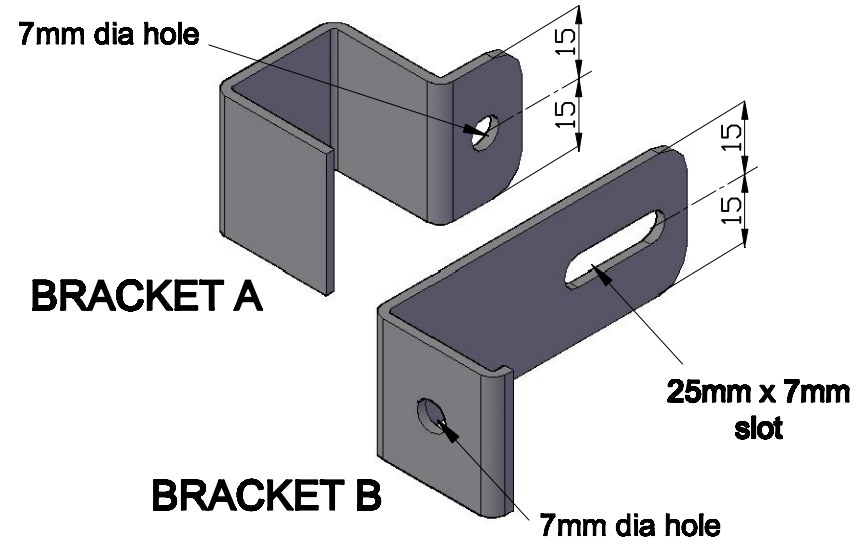
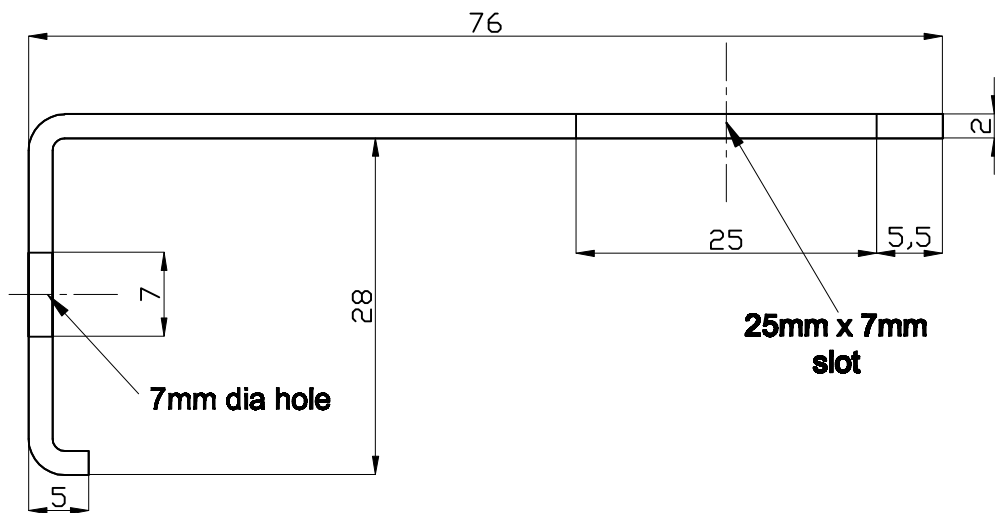


**SECTIONAL PLAN
BRACKET A**



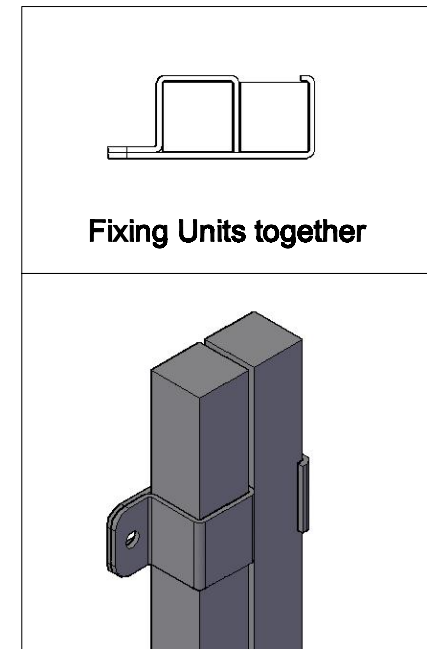
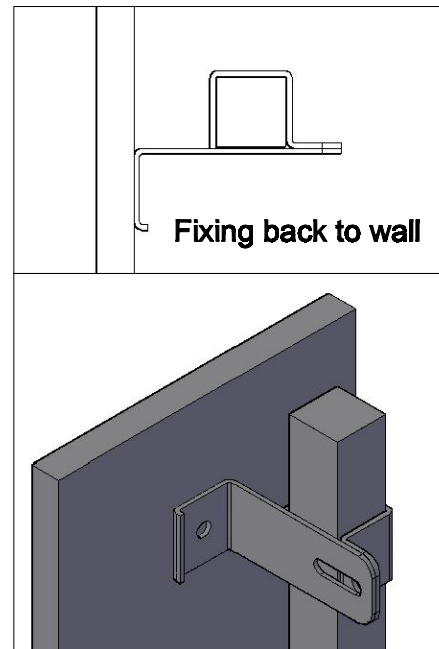
BRACKET A

BRACKET B



**SECTIONAL PLAN
BRACKET B**

**Bracket fabricated from 2mm thick mild steel
Epoxy powder coated finish ?**



FIXING BRACKETS METAL TRAY UNITS

DRWG. STR DM 30B

REV B

DRAWN BY: DG/MM

DATE 26.10.2012